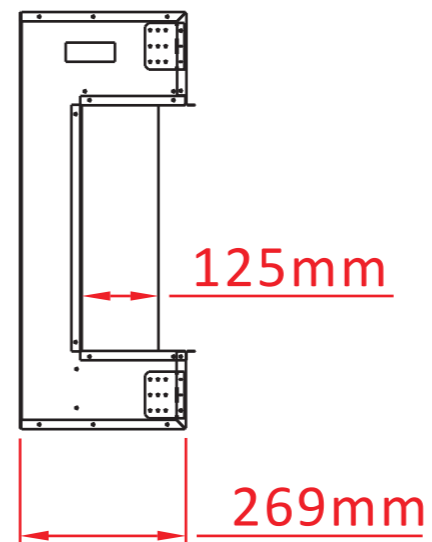
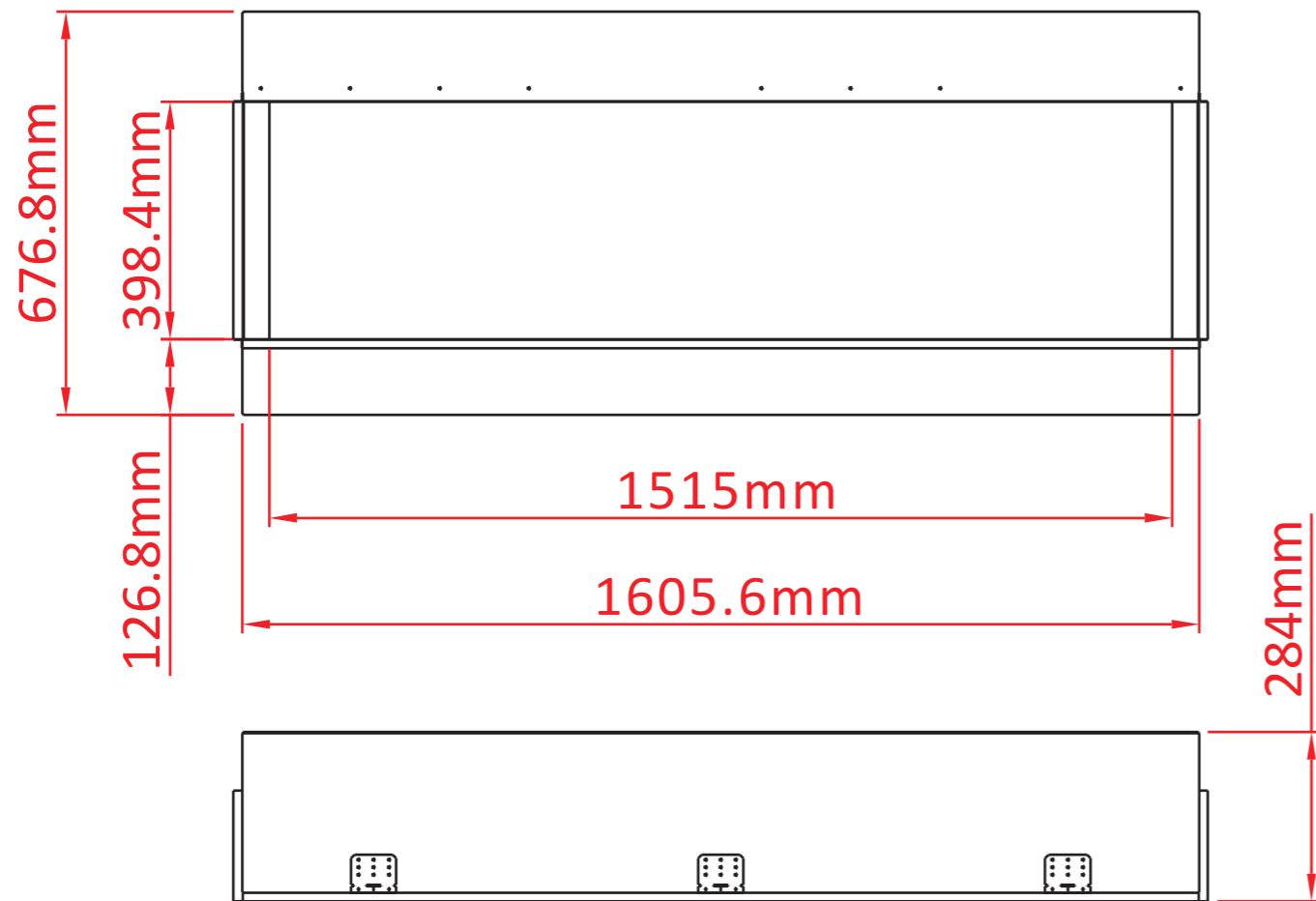


TECHNICAL SPECIFICATIONS

VOLTS		120
AMPS		12.5
WATTS		1500
HEATER	HIGH	1500 watts
	LOW	750 watts
NO HEATER		19 watts
LAMPS	QUANTITY	LED
	WATTS	
	TOTAL WATTS	19 watts
ROTOR MOTOR		1 at 5 watts
HEIGHT,WIDTH,DEPTH		26 5/8" x 63 1/4" x 10 5/8"
GLASS VIEWING OPENING		15 5/8" X 59 5/8"
GLASS SIZE		15 5/8" X 59 5/8"
SHIPPING SIZE		29 1/8" x 67 4/8" x 12 5/8"
SHIPPING WEIGHT		00.0 lbs
	UNIT	
	GLASS FRONT	Included
PLUG LOCATION		Left Side
CORD LENGTH		76"
APPROX. HEATING AREA		400 sq ft

Amantii


SERIES	MODEL		REV
TRU VIEW	60-TV-SLIM		1
SCALE 1"=1'-0"	DATE: 9/4/2019	SHEET 1 OF 1	



TECHNICAL SPECIFICATIONS

VOLTS	120	
AMPS	12.5	
WATTS	1500	
HEATER	HIGH	1500 watts
	LOW	750 watts
NO HEATER	19 watts	
LAMPS	QUANTITY	LED
	WATTS	
	TOTAL WATTS	19 watts
ROTOR MOTOR	1 at 5 watts	
HEIGHT,WIDTH,DEPTH	67.7 x 160.6 x 26.9 cm	
GLASS VIEWING OPENING	39.8 X 151.5 cm	
GLASS SIZE	39.8 X 151.5 cm	
SHIPPING SIZE	74 x 171.6 x 32 cm	
SHIPPING WEIGHT	00.0 Kgs	
GLASS FRONT	UNIT	
		Included
PLUG LOCATION	Left Side	
CORD LENGTH	193 cm	
APPROX. HEATING AREA	37 sqm	

Amantii

SERIES	MODEL		REV
TRU VIEW	60-TV-SLIM		1
SCALE 1:12	DATE: 9/4/2019	SHEET 1 OF 1	